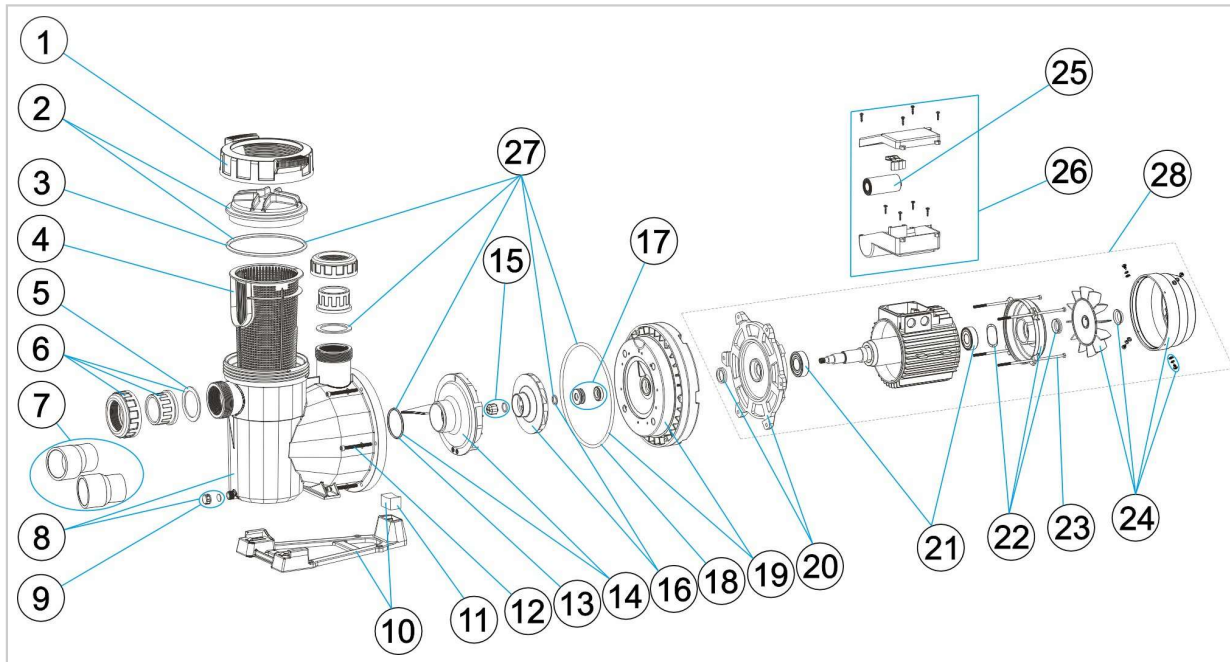


FLUIDRA

65570 - PUMP VICTORIA PLUS SILENT SS 3 HP III

Revision no.: 9 | Date: 19-02-2026



 Piezas del despiece (kits o unitarios)

POS.	CÓDIGO	DESCRIPCIÓN
1	4405010585	PRE-FILTER COVER NUT
2	4405010702	PRE-FILTER COVER
3	4405010178	O' RING D 151,7X6,99
4	4405010105	PRE-FILTER BASKET
5	4405010179	INLET GASKET 72X55X2,5
6	4405010107	UNION FITTINGS 1,5 HP - 2,5 HP
7	4405010717	UNION FITTINGS 3 HP
8	4405010586	PUMP HOUSING
9	4405010587	DRAIN PLUG

POS.	CÓDIGO	DESCRIPCIÓN
10	4405010492	PUMP BASE
11	4405010113	PUMP BASE FITTINGS 1,5 HP - 3 HP
12	4405010590	BODY FIXING SCREW
13	4405010161	O' RING D. 56,7X3,5
14	4405010117	DIFFUSOR 2,5 - 3 HP
15	4405010134	IMPELLER COVER M8 LEFT
16	4405010602	IMPELLER 3 (III) HP FOR 50 HZ
16	4405010678	IMPELLER 3 (III) HP 60 HZ FOR 60 HZ
17	4405010118	MECHANICAL SEAL
18	4405010487	O' RING
19	4405010603	MECHANICAL SEAL PLATE
20	4405010607	FRONT MOTOR FLANGE
21	4405010610	MOTOR BEARINGS 1,5 - 3 HP
22	4405010614	MEC. MOTOR COVER C.80
23	4405010145	MOTOR TIES 1,5 - 3 HP III
24	4405010636	FAN COVER ASSEMBLY FOR MOTOR 65570-0475
24	4405010637	FAN COVER ASSEMBLY FOR MOTOR 65570-0475E
26	4405010157	TERMINAL BOX ASSEMBLY C. 80-90 III
27	4405010860	GASKETS
28	65570R0475E	MOTOR PLUS VAVE 3CV III
28	65570R0475	MOTOR 3 HP III