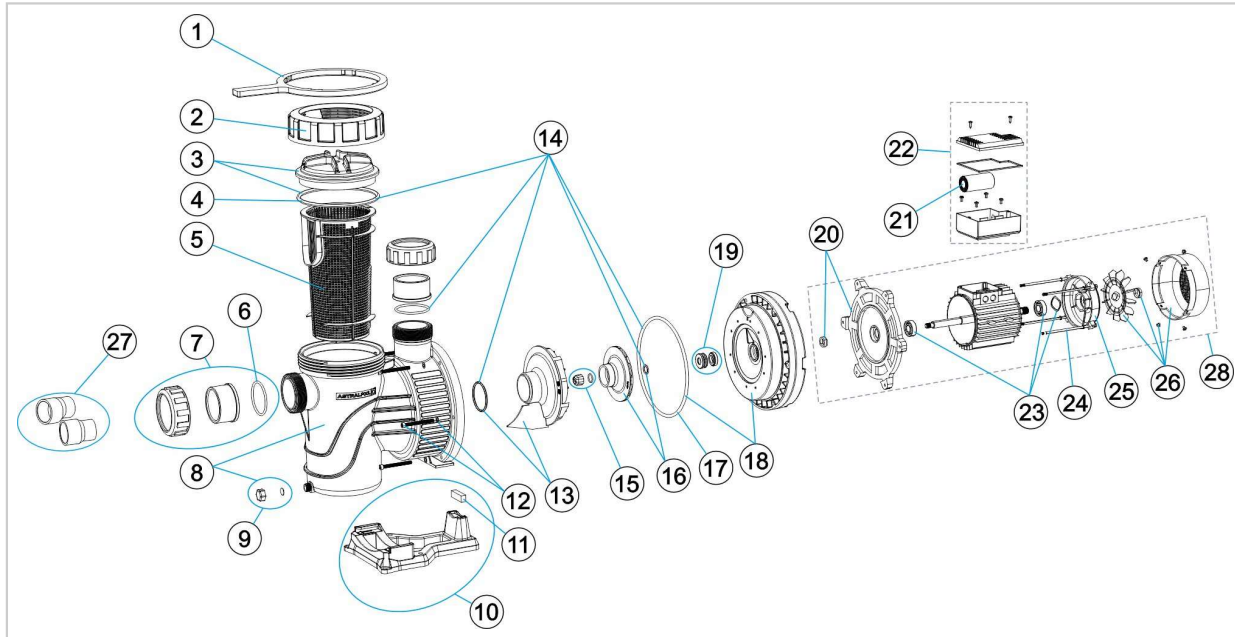


FLUIDRA

73686 - PUMP VERDON ES 300M

Revision no.: 5 | Date: 02-02-2026



Piezas del despiece (kits o unitarios)

POS.	CÓDIGO	DESCRIPCIÓN
1	4404130103	LID SPANNER
2	4404130101	PRE-FILTER COVER NUT
3	4405010702	PRE-FILTER COVER
4	4405010178	O' RING D 151,7X6,99
5	4405010105	PRE-FILTER BASKET
6	4405010907	O' RING D 63X4
7	4405011105	UNION FITTINGS D-63 (1,5 - 3 HP)
8	4405010894	PUMP HOUSING
9	4405010587	DRAIN PLUG

POS.	CÓDIGO	DESCRIPCIÓN
10	4405010897	PUMP BASE
11	4405010442	SILENTBLOCK 3/4 - 1 - 1,25 HP
12	4405010590	BODY FIXING SCREW
13	4405010117	DIFFUSOR 2,5 - 3 HP
14	4405010900	GASKETS
16	4405010902	IMPELLER 3 (II) HP
17	4405010487	O' RING
18	4405010603	MECHANICAL SEAL PLATE
19	4405010118	MECHANICAL SEAL
20	4405010938	FRONT MOTOR FLANGE
21	4405010940	CONDENSER 60 µf CABLE FOR 73686R0475 MOTOR
21	4405011390	CONDENSER 65 µf CABLE FOR 73686R0475E MOTOR
22	4405010942	TERMINAL BOX ASSEMBLY (MOTOR III) C.80-90
23	4405010171	BEARINGS ASSEMBLY 6205 2RS 3,5HP
24	4405011467	ENGINE RODS 3 (II) HP
25	4405010948	C.90 REAR MOTOR COVER
26	4405010957	FAN COVER ASSEMBLY
27	4405010717	UNION FITTINGS 3 HP
28	73686R0475	MOTOR 3 CV II
28	73686R0475E	MOTOR OPP 3 CV II

© 2024 Fluidra. All rights reserved. All trademarks and trade names used in this document are the property of their respective owners | [Privacy Policy](#) | [Disclaimer](#) | [Cookies](#) | [Quality management](#)