

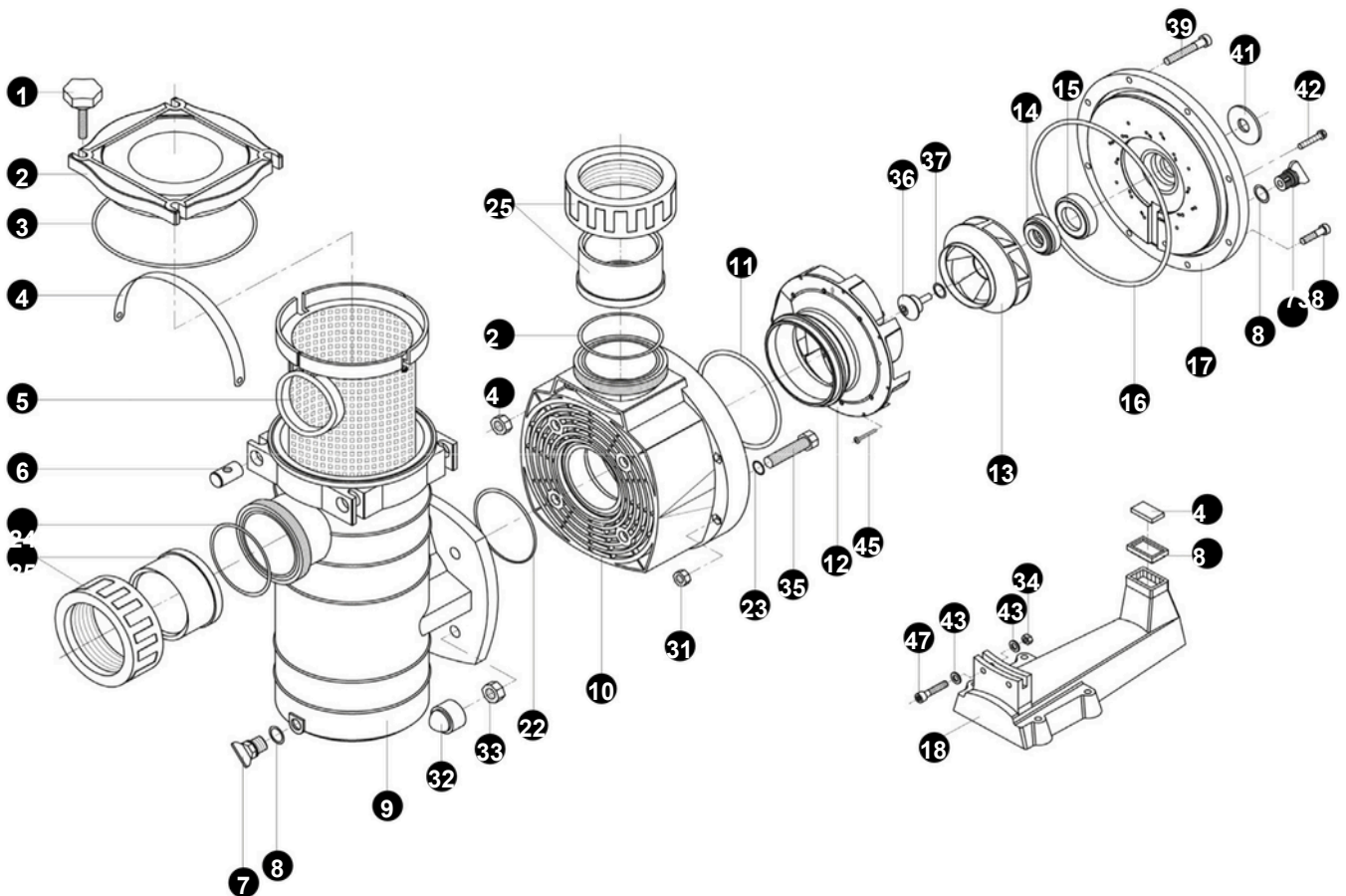


HIGH-CAPACITY PUMP, KAN/HCP 4000 SERIES

HAYWARD


MODELS

- KAN510 T1 (HCP40553E1)
- KAN610 T2 (HCP40653E1)
- KAN760 T2 (HCP40753E1)
- KAN1020 T2 (HCP401003E1)
- KAN1270 T2 (HCP401253E1)





No.	Description	Quantity	Code	Part no.
1 + 6		4	500100010004	
2 + 3	Swivel nut + Hand knob Strainer cover +	1	500100020006	RPUM0001.05R
3	O'Ring Strainer cover	10	500100110006	RPUM0002.07R
3	O'Ring	1		RPUM0003.07R
8		2		
11		1		
16	Set of gaskets	1	500131160900	RPUM3116.09R
22		1		
24		2		
4 + 5		1		
6	Strainer basket	10	500100030006	RPUM0005.07R
7 + 8	Swivel nut	10	500100160001	RPUM0006.01R
9	Drain Plug	1	500100000000	RPUM0007.00R
10	Strainer	1	500100140001	RPUM0009.02R
11	Pump Housing	10	500100100007	RPUM0010.08R
12	Diffuser gasket	1	500100120004	RPUM0011.05R
45	Diffuser 5,5 / 6,5 / 7,5 HP	16	500100060005	RPUM0012.06R
12		1		
45	Diffuser (old models KAN1010 / KAN1260)	16	500100060006	RPUM0012.07R
12		1		
45	Diffuser 10 / 12,5 HP (current model HCP4000 & KAN1020 / KAN1270)	16	500100060007	RPUM0012.08R
13+36+37	Impeller HCP4055	1	500100070020	RPUM0013.23R
	HCP4065	1	500100070021	RPUM0013.24R
	HCP4075	1	500100070022	RPUM0013.25R
	10 HP (old model KAN1010)	1	500100070023	RPUM0013.26R
	HCP40100	1	500100070034	RPUM0013.28R
	12,5 HP (old model KAN1260)	1	500100070024	RPUM0013.27R
14 + 15	HCP40125	1	500100070028	RPUM0013.29R
	Seal assembly 5,5 / 6,5 / 7,5 HP & old models 10 / 12,5 hp (KAN1010 / KAN1260)	1	500114150200	RPUM1415.02R
16	Seal assembly 10 / 12,5 HP current models HCP4000 & KAN1020 / KAN1270	1	500114150300	RPUM1415.03R
	Housing gasket	10	500100130004	RPUM0016.05R
17	Seal plate 5,5 / 6,5 / 7,5 HP & old models 10 / 12,5 hp (KAN1010 / KAN1260)	1	500100080004	RPUM0017.05R
	Seal plate 10 / 12,5 HP current models HCP4000 & KAN1020 / KAN1270	1	500100080005	RPUM0017.06R
18		1		
48	Motor support	2	500100090003	RPUM0018.04R
49		3		
23 + 35		4		
31		8		
32+33		4		
34		2		
38	Screw set	6	500139420500	RPUM3942.05R
39		2		
42+43		4		
47		2		
36 + 37	Impeller screw 5,5 / 6,5 / 7,5 HP & old models 10 / 12,5 hp (KAN1010 / KAN1260)	10	500100190000	RPUM3637.01R
	Impeller screw 10 / 12,5 HP current models HCP4000 & KAN1020 / KAN1270	10	500100190001	RPUM3637.02R
41	Slinger	10	500100410100	RPUM0041.01R
24 + 25	Union connector kit 110 mm	2	500100150002	RPUM2425.02R
	Union connector kit 4" ANSI	2	500100150003	RPUM2425.12R

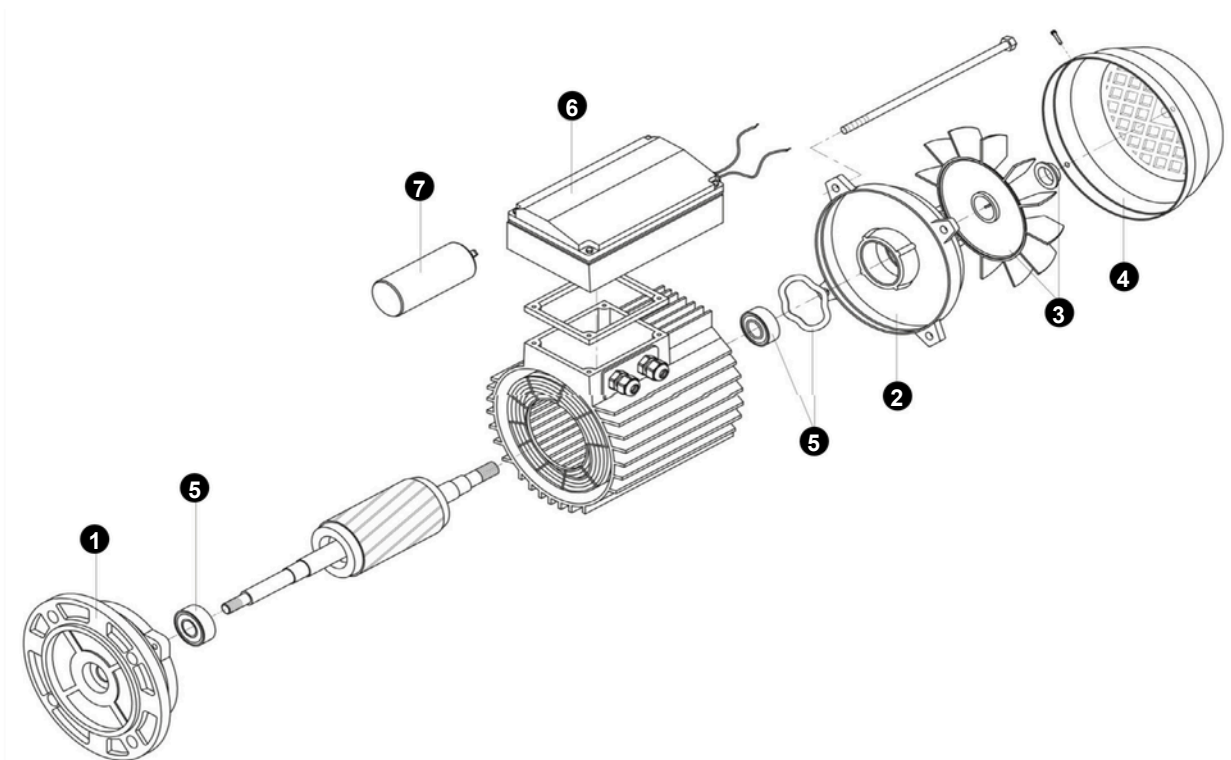


HIGH-CAPACITY PUMP, KAN/HCP 4000 SERIES / ENGINE SPARE PARTS

HAYWARD


MODELS

- KAN510 T1 (HCP40553E1)
- KAN610 T2 (HCP40653E1)
- KAN760 T2 (HCP40753E1)
- KAN1020 T2 (HCP401003E1)
- KAN1270 T2 (HCP401253E1)



Code	Part no.	Pump Model	HP	MEC
No. 1 MOTOR COVER-PUMP SIDE				
505010105000	RMOT0001.05R	HCP40553E1	5,5	100
		HCP40653E1	6,5	100
505010106000	RMOT0001.07R	HCP40553E	5,5	112
		HCP40653E	6,5	112
		HCP40753E	7,5	112
		HCP40753E1	7,5	112
505010107000	RMOT0001.08R	HCP401003E	10	132
		HCP401003E1	10	132
		HCP401253E1	12,5	132



Code	Part no.	Pump Model	HP	MEC
No. 2 MOTOR COVER-FAN SIDE				
505010205200	RMOT0002.05R	HCP40553E1	5,5	100
		HCP40653E1	6,5	100
505010206200	RMOT0002.06R	HCP40553E	5,5	112
		HCP40653E	6,5	112
		HCP40753E	7,5	112
		HCP40753E1	7,5	112
505010207200	RMOT0002.07R	HCP401003E	10	132
		HCP401003E1	10	132
		HCP401253E1	12,5	132
No. 3 FAN				
505010302200	RMOT0003.02R	HCP40653E	6,5	112
		HCP40753E	7,5	112
		HCP401003E	10	132
505010305200	RMOT0003.05R	HCP40553E1	5,5	100
		HCP40653E1	6,5	100
505010306200	RMOT0003.06R	HCP40553E	5,5	112
		HCP40753E1	7,5	112
505010307200	RMOT0003.07R	HCP401003E1	10	132
		HCP401253E1	12,5	132
No. 4 FAN COVER				
505010405200	RMOT0004.05R	HCP40553E1	5,5	100
		HCP40653E1	6,5	100
505010406200	RMOT0004.06R	HCP40553E	5,5	112
		HCP40653E	6,5	112
		HCP40753E	7,5	112
		HCP40753E1	7,5	112
505010407200	RMOT0004.07R	HCP401003E	10	132
		HCP41003E1	10	132
		HCP401253E1	12,5	132
No. 5 BEARINGS KIT				
505010705000	RMOT0005.04R	HCP40553E1	5,5	100
		HCP40653E1	6,5	100
505010706000	RMOT0005.05R	HCP40553E	5,5	112
		HCP40653E	6,5	112
		HCP40753E	7,5	112
		HCP40753E1	7,5	112
505010707000	RMOT0005.06R	HCP401003E	10	132
		HCP41003E1	10	132
		HCP401253E1	12,5	132
No. 6 CONNECTION BOX				
505006000606	RMOT0006.06R	HCP40553E1	5,5	100
		HCP40653E1	6,5	100
505006000607	RMOT0006.07R	HCP40553E	5,5	100
		HCP40653E	6,5	100
		HCP40753E	7,5	112
		HCP40753E1	7,5	112
		HCP401003E	10	132
		HCP401003E1	10	132
HCP401253E1	12,5	132		
COMPLETE MOTORS				
505000521000	RMOT5052.10RR	HCP40553E1 - Three phase T2 motor		
505053521000		HCP40553E - Three phase T2 IE3 motor		
505000522000	RMOT5052.20RR	HCP40653E1 - Three phase T2 motor		
505053522000		HCP40653E - Three phase T2 IE3 motor		
505000622000	RMOT5062.20RR	HCP40753E1 - Three phase T2 motor		
505053622000		HCP40753E - Three phase T2 IE3 motor		
505000722000	RMOT5072.20RR	HCP401003E1 - Three phase T2 motor		
505053722000		HCP401003E - Three phase T2 IE3 motor		
505000723100	RMOT5072.31RR	HCP401253E1 - Three phase T2 motor		

T1 - 230 / 400 Volt.

T2 - 400 / 700 Volt.