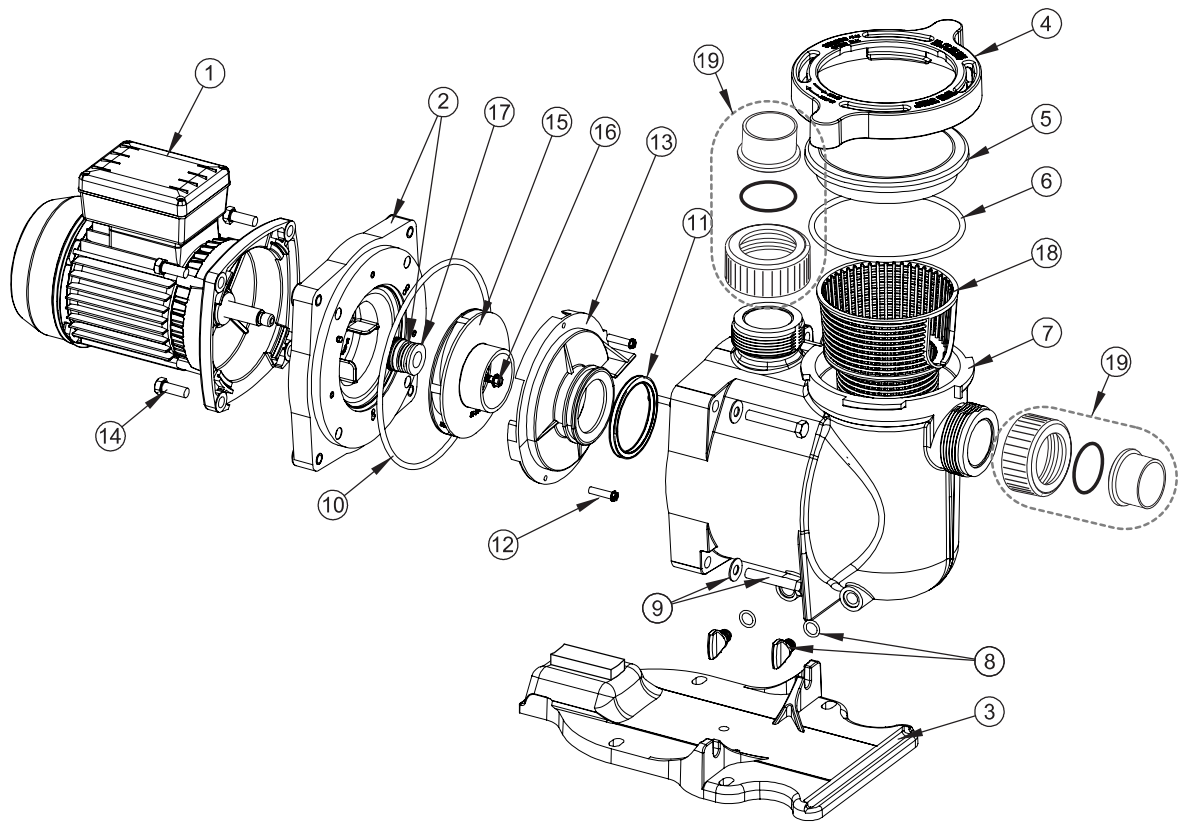


SUPERFLO®



SUPERFLO[®]

Replacement Parts

No.	Part No.	Description	Part No. Includes*	
1**	RP051	Motor - Mono Phase 0,37kW	1	
	RP071	Motor - Mono Phase 0,55kW	1	
	RP073	Motor - Tri Phase 0,55kW	1	
	RP101	Motor - Mono Phase 0,75kW	1	
	RP103	Motor - Tri Phase 0,75kW	1	
	RP151	Motor - Mono Phase 1,10kW	1	
	RP153	Motor - Tri Phase 1,10kW	1	
	RP201	Motor - Mono Phase 1,50kW	1	
	RP203	Motor - Tri Phase 1,50kW	1	
	RP301	Motor - Mono Phase 2,20kW	1	
	RP303	Motor - Tri Phase 2,20kW	1	
	2	R355612	Seal plate incl Mechanical Seal	1
	3	R351094	Pump base	1
4	R351090	Locking ring	1	
5	R350091	Lid	1	
6	R357255	O-ring for Lid	1	
7	R357297	Housing BSP - Black	1	
8	R357161	Drain Plug & O-ring	2	
9	R355621	Bolt & Washer	4	
10	R355619	O-ring	1	
11	R154492	Seal	2	
	R355331	Seal for 1,5-2,2KW	1	
12	R355334	Screw	3	
13	R355618	Diffuser 0,37kW - 1,10kW	1	
	R355360	Diffuser 1,50kW - 2,20kW	1	
14	R354290	Bolt	4	
15	R355174M	Impeller 0,37kW	1	
	R355174	Impeller 0,55kW	1	
	R355074	Impeller 0,75kW	1	
	R355086	Impeller 1,10kW	1	
	R355614M	Impeller 1,50kW	1	
	R355168M	Impeller 2,20kW	1	
16	R355389	Impeller lock screw	1	
17	R354545SP	Mechanical seal	1	
18	R355667	Basket	1	
19	R170450	Union Kit 50mm	2	
	170451	Union Kit 1-1/2"	2	
	P-SFL-OSET	Seal set (Partn° 6, 10, 11, 17)		
Not shown				
	R394063	ADAPTOR SET 2" TO 63MM	2	

* PART NUMBER INCLUDES REQUIRED QUANTITY PER PRODUCT

** SEE MOTOR SHEET FOR MOTOR SPARE PARTS

Rev. 08/2016