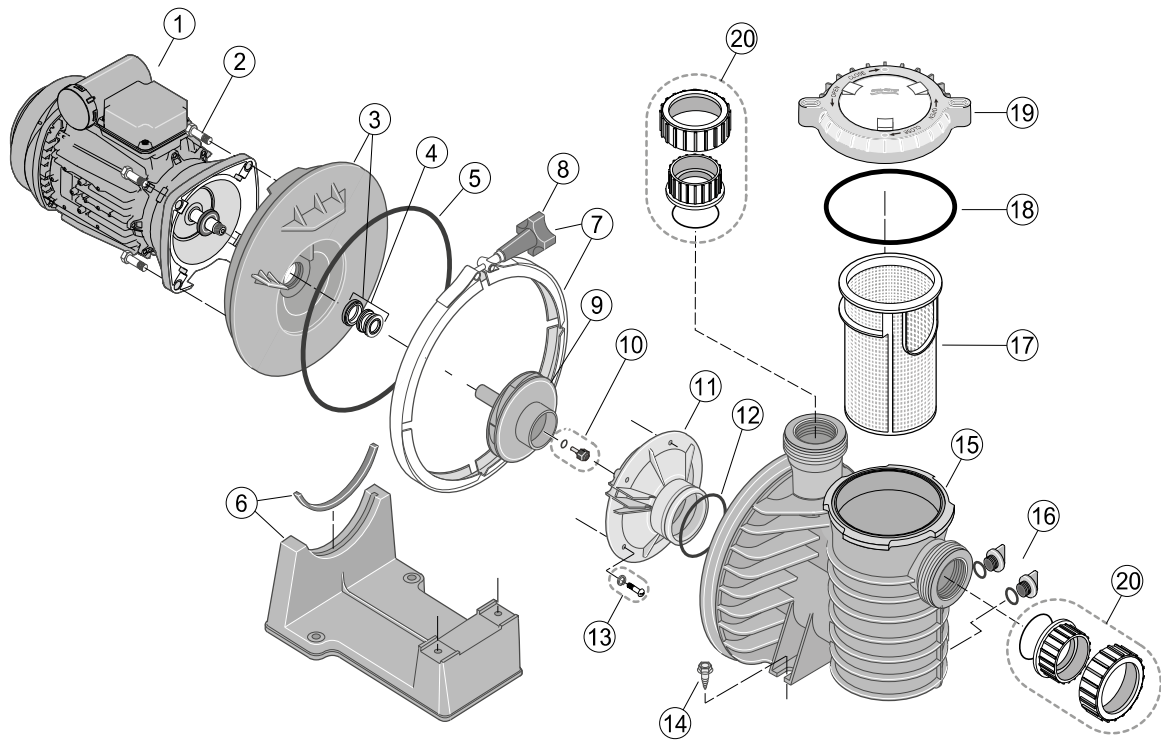


# 5P6R™



# MAX-E-PRO™ - 5P6R™

## Replacement Parts

| No.          | Part No.       | Description   | Part No. Includes* |
|--------------|----------------|---|--------------------|
| <b>1**</b>   | RA-D1          | Motor - Mono Phase 0,55KW                               | 1                  |
|              | RA-D3          | Motor - Tri Phase 0,55KW                                | 1                  |
|              | RA-E1          | Motor - Mono Phase 0,75KW                               | 1                  |
|              | RA-E3E2        | Motor - Tri Phase 0,75KW                                | 1                  |
|              | RA-F1          | Motor - Mono Phase 1,10KW                               | 1                  |
|              | RA-F3E2        | Motor - Tri Phase 1,10KW                                | 1                  |
|              | RA-G1          | Motor - Mono Phase 1,50KW                               | 1                  |
|              | RA-G3E         | Motor - Tri Phase 1,50KW                                | 1                  |
|              | RA-H1          | Motor - Mono Phase 2,20KW                               | 1                  |
|              | RA-H3E2        | Motor - Tri Phase 2,20KW                                | 1                  |
| <b>2</b>     | RU3074SS       | Screw   | 4                  |
| <b>3</b>     | RC103194PG     | Seal Plate incl. Mechanical Seal                        | 1                  |
| <b>4</b>     | R374000027S    | Mechanical Seal   | 1                  |
| <b>5</b>     | R39006000      | O-Ring  | 1                  |
| <b>6</b>     | RC478P         | Base (0,55KW)   | 1                  |
|              | RC479P         | Base (0,75KW -> 2,20KW)                                 | 1                  |
| <b>7</b>     | RC1937A        | Clamp and knob Assembly                                 | 1                  |
| <b>8</b>     | RWC3622        | Clamp Knob  | 1                  |
| <b>9</b>     | RC105238PFM    | Impeller 0,55KW Mono Phase                              | 1                  |
|              | RC105238PFAM   | Impeller 0,55KW Tri Phase                               | 1                  |
|              | RC105238PGM    | Impeller 0,75KW Mono Phase                              | 1                  |
|              | RC105238PGAM   | Impeller 0,75KW Tri Phase                               | 1                  |
|              | RC105238PECAM  | Impeller 1,10KW Mono & Tri Phase                        | 1                  |
|              | RC105-238PLBAM | Impeller 1,50KW Mono & Tri Phase                        | 1                  |
|              | RC105-238PHAM  | Impeller 2,20KW Mono & Tri Phase                        | 1                  |
| <b>10***</b> | R373376080     | Impeller Lock Screw                                     | 1                  |
| <b>11</b>    | RC1271P        | Diffuser  | 1                  |
| <b>12</b>    | RU9374         | O-Ring  | 1                  |
| <b>13</b>    | RU30922SS      | Bolts & Washers   | 5                  |
| <b>14</b>    | RU30918SS      | Screw   | 2                  |
| <b>15</b>    | R173070110W    | Pump Body Assembly<br>(includes Partn° 16, 17, 18 & 19) | 1                  |
| <b>16</b>    | RU178920P      | Drain Plugs   | 2                  |
| <b>17</b>    | RC858P         | Basket  | 1                  |
| <b>18</b>    | R355051440     | O-Ring  | 1                  |
| <b>19</b>    | R173070111S    | Lid & Lock Assembly                                     | 1                  |
| <b>20</b>    | RPKG188W       | Slip Union Kit 63mm                                     | 2                  |
|              | PKG 188        | Slip Union Kit 2"                                       | 2                  |
|              | PP6000         | Seal Set (Partn° 4, 5, 12, 18)                          |                    |

\* PART NUMBER INCLUDES REQUIRED QUANTITY PER PRODUCT

\*\* SEE MOTOR SHEET FOR MOTOR SPARE PARTS

\*\*\* IMPELLER SCREW ONLY ON TRI PHASE PUMPS

Rev. 08/2016